

Figure 5A - Taylor Disc Tiller

Group 3—TAYLOR DISC TILLER, Model 10-64

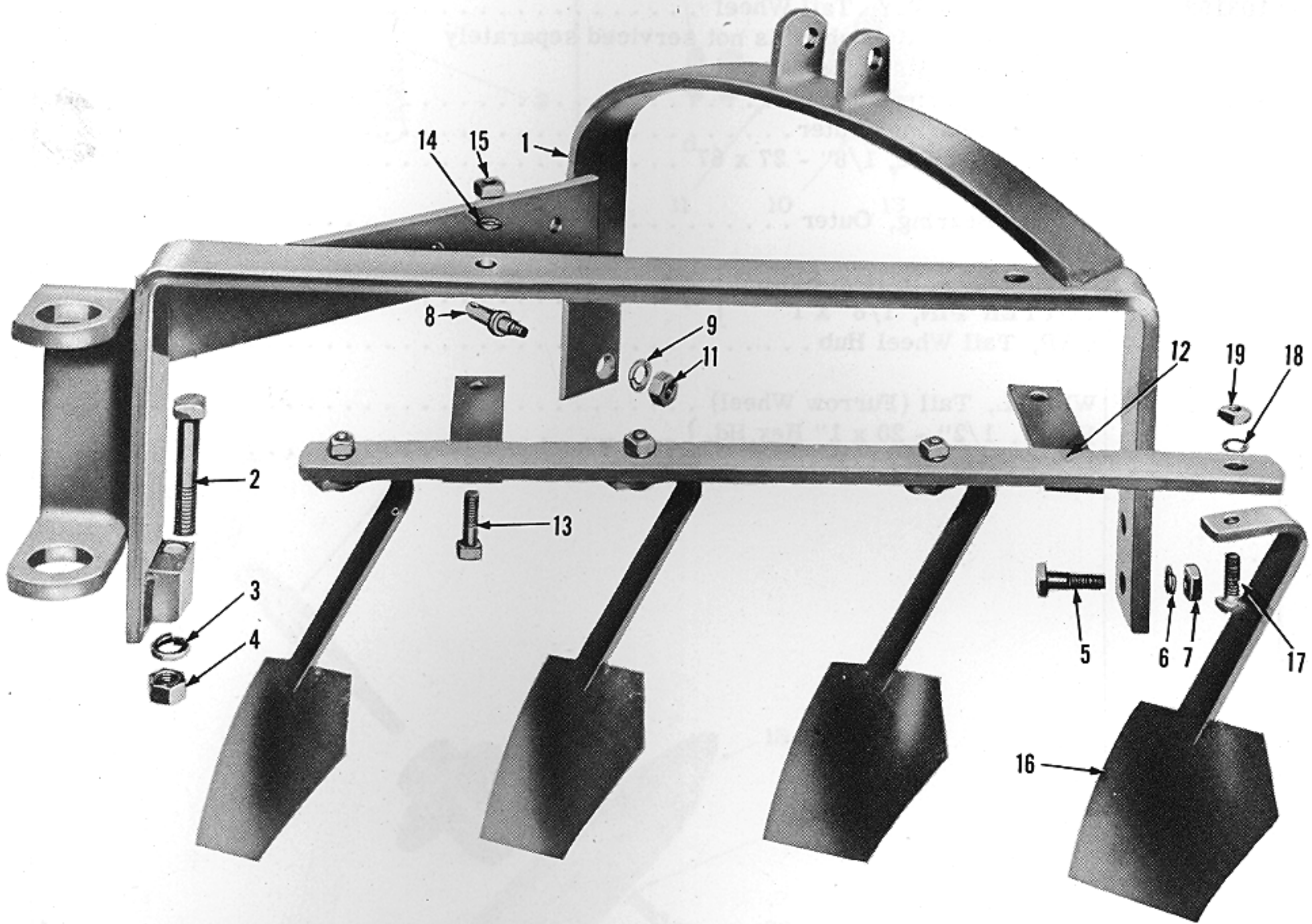


Figure 27 - Frame Assembly

FIG. 27	PART NO.	NAME AND DESCRIPTION	QTY. REQ.
		Group 3-1—FRAME ASSEMBLY	
1		FRAME, Main (Welded Assembly)	1
2		BOLT, 7/8" - 9 x 5" Sq. Hd. } Gang Bolt to Frame	1
3		LOCKWASHER, 7/8" }	
4		NUT, 7/8" - 9 Hex. }	
-		HANGER, Gang (See Figure 28)	1
5		BOLT, 5/8" - 11 x 2-1/4" Sq. Hd. } Hanger to Frame	2
6		LOCKWASHER, 5/8" }	
7		NUT, 5/8" - 11 Sq. }	
8	103880	PIN, Link, Tractor Hitch	1
9		LOCKWASHER, 5/8" } Link Pin	1
11		NUT, 5/8" - 18 Hex. }	
12	105355	BRACKET, Scraper (Welded Assembly)	1
13		BOLT, 5/8" - 11 x 2" Sq. Hd. } Bracket to Main Frame	2
14		LOCKWASHER, 5/8" }	
15		NUT, 5/8" - 11 Sq. }	

TAYLOR DISC *Tiller*

FIG. 27	PART NO.	NAME AND DESCRIPTION	QTY. REQ.
		Group 3-1—FRAME ASSEMBLY (Cont'd)	
16	105356	SCRAPER, Disc.	4
17		BOLT, 1/2" - 13 x 1-1/2" Sq. Hd. } ...	
18		LOCKWASHER, 1/2" } ...	
19		NUT, 1/2" - 13 Hex. } ...	
		} Scraper to Bracket	4

TAYLOR DISC *Tiller*

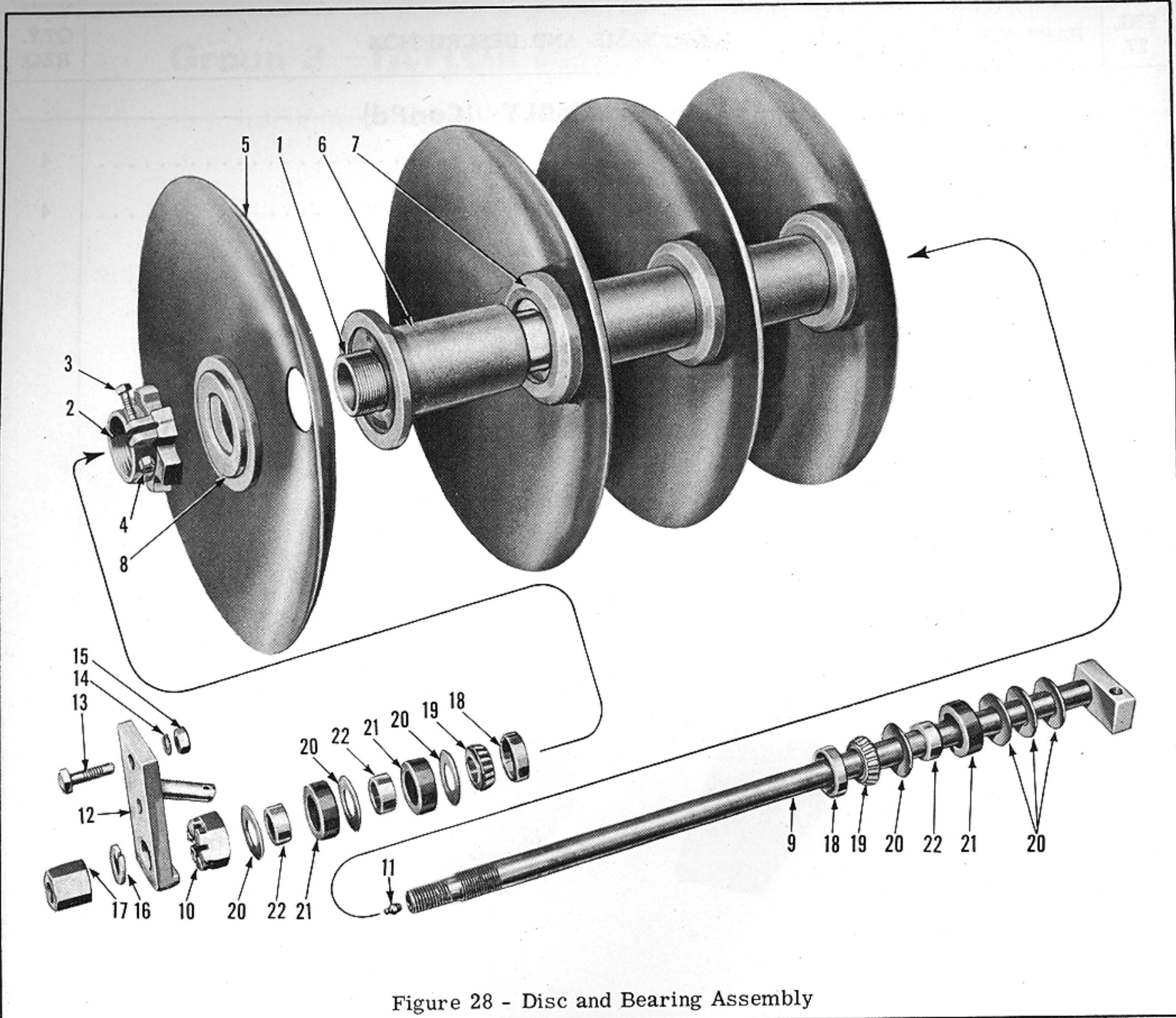


Figure 28 - Disc and Bearing Assembly

FIG. 28	PART NO.	NAME AND DESCRIPTION	QTY. REQ.
Group 3-2—DISC AND BEARING ASSEMBLY			
1	105352	HOUSING, Pipe (Includes Welded Rear End Cap)	1
2	105384	NUT, Housing	1
3		BOLT, 1/2" - 13 x 1-3/4" Sq. Hd. } Housing Nut	
4		NUT, 1/2" - 13 Hex. } Housing Nut	
5	105380	DISC, Plain, 26" Concave	4
6	105381	SPACER, Disc	3
7	105382	WASHER, Disc Spacer	3
8	105383	WASHER, Disc End	1
9	105353	BOLT, Gang (Welded Assembly)	1
10	105374	NUT, 1-5/16" - 12 Hex. Slotted } Gang Bolt	1
11		FITTING, Lube, 1/8" Straight } Gang Bolt	

TAYLOR DISC *Tiller*

FIG. 28	PART NO.	NAME AND DESCRIPTION	QTY. REQ.
Group 3-2—DISC AND BEARING ASSEMBLY (Cont'd)			
12	105337	HANGER, Gang	1
13		BOLT, 5/8" - 11 x 2-1/4" Sq. Hd. }	2
14		LOCKWASHER, 5/8" } Hanger to Frame	
15		NUT, 5/8" - 11 Sq. }	
16		LOCKWASHER, 1-1/8" }	
17	105385	NUT, 1-1/8" - 7 Hex. } Hanger to Gang Bolt	1
18	9N-744	CUP, Bearing (#14276)	2
19	105379	BEARING, Roller (#14131)	2
20	105378	WASHER, Retainer	7
21	105376	SEAL, Oil (Felt)	3
22	105377	SPACER, Oil Seal	3

TAYLOR DISC *Tiller*

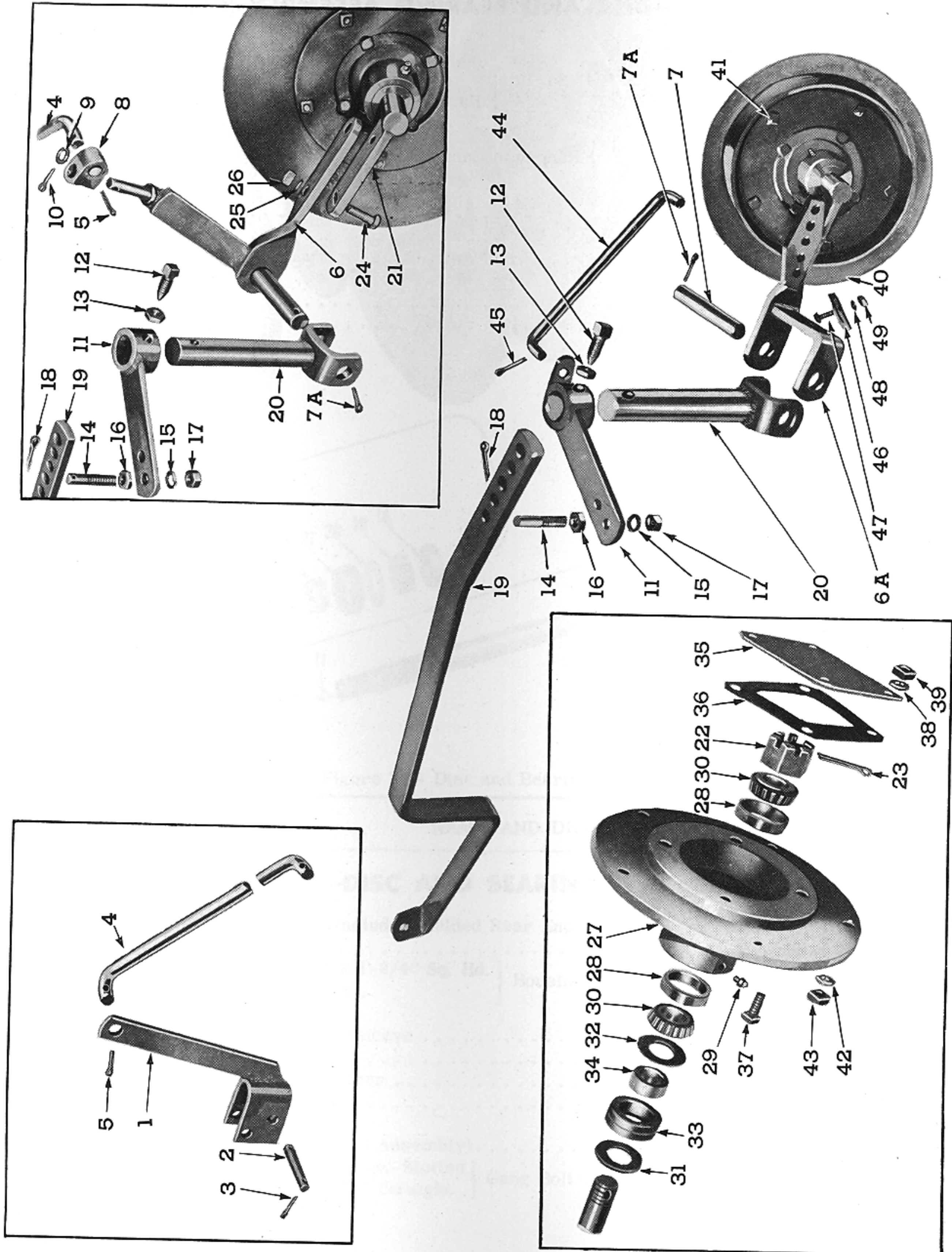


Figure 29 - Furrow Wheel and Controls

TAYLOR DISC *Tiller*

FIG. 29	PART NO.	NAME AND DESCRIPTION	QTY. REQ.	
Group 3-3—FURROW WHEEL AND CONTROLS				
		Prior to Serial #811	x	
		After Serial #810		x
1	105338	ARM, Control (Welded Assembly)	1	
2	105340	PIN, Hinge, Control Arm	1	
3		COTTER PIN, 5/16" x 1-1/2" - Hinge Pin	2	
4	105341	BAR, Control	1	
5		COTTER PIN, 5/16" x 1-1/2" - Bar to Control Arm to Block	2	
6	105347	HINGE, Furrow Wheel (Welded Assembly)	1	
6A	105426	HINGE, Furrow Wheel, w/Axle (Welded Assembly)		1
7	105422	PIN, Hinge		1
7A		COTTER PIN, 7/16" x 2" { Furrow Wheel Hinge	1	
		{ Furrow Wheel Hinge Pin		2
8	105342	BLOCK, Swivel	1	
9	105368	WASHER,		
10		COTTER PIN, 7/16" x 2" } Block to Hinge	1	
11	105589	ARM, Draft Bar (Welded Assembly)	1	1
12	105370	SET SCREW, 7/8" - 9 Sq. Hd. Cone Pt. }	1	1
13		NUT, 7/8" - 9 Hex. Jam } Arm	1	1
14	105369	PIN, Link, Draft Bar Arm	1	1
15		LOCKWASHER, 7/8"		
16		NUT, 7/8" - 9 Hex. Jam } Link Pin	1	1
17		NUT, 7/8" - 9 Hex. }		
18		COTTER PIN, 7/16" x 2" }		
19	105343	BAR, Draft	1	1
20	105346	YOKE, Furrow Wheel Hinge (Welded Assembly)	1	1
21	105350	AXLE, Furrow Wheel (Welded Assembly)	1	
22	105374	NUT, 1-5/16" - 12 Hex. Slotted } Furrow Wheel Axle	1	1
23		COTTER PIN, 1/4" x 2" }		
24		BOLT, 5/8" - 11 x 2" Sq. Hd. } Axle to Hinge	2	
25		LOCKWASHER, 5/8" }		
26		NUT, 5/8" - 11 Sq. }		
27	105371	HUB ASSEMBLY, Furrow Wheel	1	1
		Consists of Hub which is not serviced separately plus Cup listed below:		
28	9N-744	CUP, Bearing (#14276)	2	2
29		FITTING, Lube, 1/8" Straight	1	1
30	105379	BEARING, Roller (#14131)	2	2
31	105375	WASHER, Retainer (Heavy)	1	1
32	105378	WASHER, Retainer	1	1
33	105376	SEAL, Oil (Felt)	1	1
34	105377	SPACER, Oil Seal	1	1
35	105372	PLATE, Grease Retainer	1	1
36	105373	GASKET, Retainer Plate (Felt)	1	1
37		BOLT, 1/2" - 13 x 1-1/4" Sq. Hd. } Retainer Plate to Hub	4	4
38		LOCKWASHER, 1/2" }		
39		NUT, 1/2" - 13 Sq. }		
40	105407	WHEEL, Furrow	1	1
41		BOLT, 1/2" - 13 x 1-1/2" Sq. Hd. } Furrow Wheel to Hub	5	5
42		LOCKWASHER, 1/2" }		
43		NUT, 1/2" - 13 Hex. }		
44	105403	ROD, Depth, Adjusting	1	
45		COTTER PIN, 3/16" x 3/4" - Rod	2	
46	105406	SCRAPER, Furrow Wheel	1	
47		BOLT, 1/2" - 13 x 1-1/4" Sq. Hd. } Scraper to Hinge	1	
48		LOCKWASHER, 1/2" }		
49		NUT, 1/2" - 13 Hex. }		

